



Excellent manoeuvrability in the tightest spaces

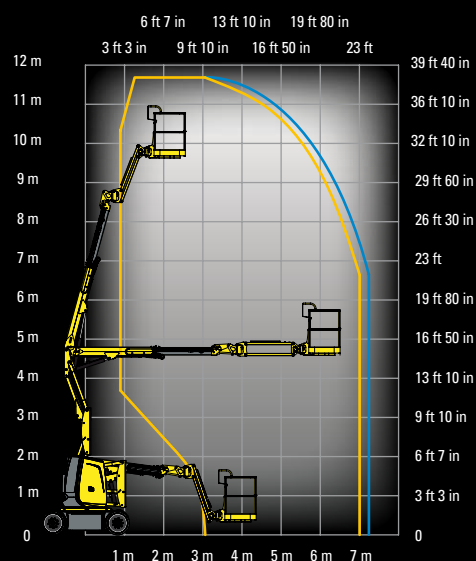
- Able to drive and orientate the turret at the same time
- Tight turning radius
- Zero tailswing
- Compact stowed height passes through standard doorways
- 1.20m width

Optimal productivity

- Proportional and simultaneous movements
- Suitable for inside and outside use
- High Operating Autonomy

HA12CJ
250 kg / 2x
551 lbs

HA12CJ+
230 kg / 2x
507 lbs

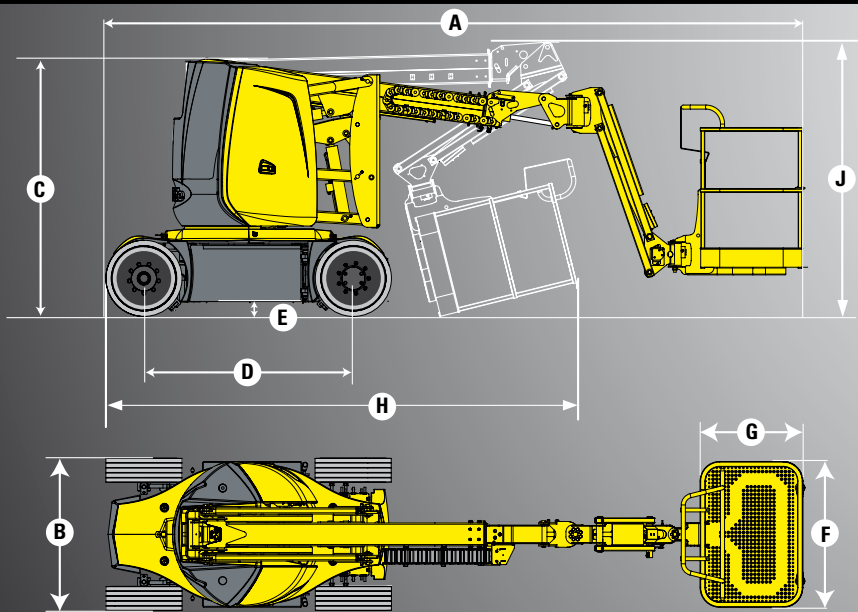


© Aline Périer



HA12CJ / HA12CJ+

ELECTRIC ARTICULATING BOOMS



TECHNICAL DATA

HA12CJ HA12CJ+

Working height	11.7 m	11.7 m
Platform height	9.7 m	9.7 m
Horizontal outreach	7 m	7.22 m
Up and over clearance	4.74 m	4.74 m
Lift capacity	250 kg	230 kg
F x G - Platform size	1.15 x 0.8 m	1.15 x 0.8 m
A - Length	5.36 m	5.64 m
B - Width	1.2 m	1.2 m
C - Height - stowed	1.99 m	1.99 m
H - Transport length	3.86 m	4.2 m
J - Transport height	2.22 m	2.6 m
Tailswing	0 cm	0 cm
Horizontal jib rotation	N/A	180° (-90/+90)
Vertical jib rotation	140° (+70/-70)	140° (-70/+70)
Platform rotation	180° (+90/-90)	180° (-90/+90)
Turntable rotation	355°	355°
D - Wheelbase	1.65 m	1.65 m
E - Ground clearance	10.7 cm	10.7 cm
Tilt	3°	3°
Proportional drive speed	0.7 - 6 km/h	0.7 - 6 km/h
Gradeability	25 %	25 %
Turning radius - outside	3.6 m	3.6 m
Tyres - non marking	600x190	600x190
Energy	48 V - 320 Amph (C5)	48V - 320 Amph (C5)
Weight	6970 kg	7040 kg

STANDARD EQUIPMENT

- Ergonomic control panels
- Battery charge indicators on both control panels
- Automatic platform levelling
- Solid non-marking tyres
- 2 wheel drive
- 2 wheel steer
- Deep cycle batteries
- On board charger battery 48V - 50A
- Safe to use in winds up to 45km/h / 28mph
- Towing hooks and lifting eyes
- Tilt controller
- Load Management System in the platform
- Horn
- Hourmeter
- Mechanical turret slewing hook
- Emergency hand pump

OPTIONS AND ACCESSORIES

- Full traction batteries
- Auxiliary power in the platform for emergency descent
- Air line to platform
- Fluorescent tube caddy
- Orange safety cones holder
- Self-closing swing door
- Flashing light
- Working light
- Electric socket in the platform
- Circuit-breaker



Haulotte 
GROUP