

SKYJACK™ SJKB Series...the new breed!

Specifications:

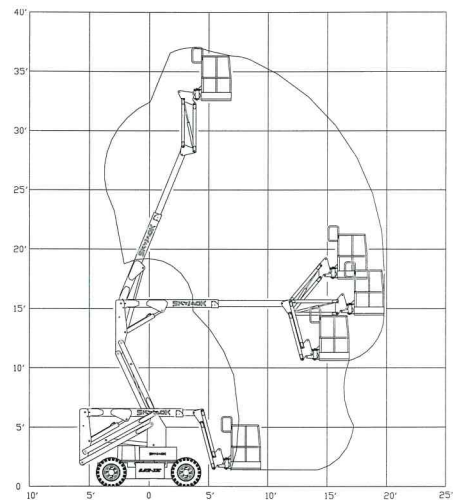
	33 & 33C	40 & 40C
Platform Height	33' (10.06m)	40" (12.19m)
Working Height	39' (11.89m)	46" (14.02m)
Platform Capacity (Unrestricted)	500 lbs (227 kg)	500 lbs. (227 kg)
Platform Size	30"x48"/66"	30"x48"/66"
Pivotal Height	15' (4.6m)	15' (4.6m)
Horizontal Reach (Centerline of Rotation)	20'5" (6.22m)	27'7" (8.41m)
Horizontal Reach (Clear Reach)	17'5" (5.33m)	24'8" (7.52m)
Travel Speed (Stowed)	0 - 3.0 mph	0 - 3.0 mph
Travel Speed (Elevated)	0 - 8 mph	0 - 8 mph
Gradeability	35%+	30%
Turret Rotation (Non Continuous)	365 degrees	365 degrees
Stowed Height	6'7" (2.0m)	6'7" (2.0m)
Stowed Length	15'2" (4.62m)	18'3" (5.56m)
Overall Width (33 & 40)	5'9" (1.75m)	5'9" (1.75m)
Overall Width (33C & 40C)	5'10" (1.78m)	5'10" (1.78m)
Tailswing (@ Pivotal Height)	Zero	Zero
Electrical System	48 VDC	48 VDC
Batteries	(8) 6v305ah	(8) 6v305ah
Inside Turning Radius	7' (2.13m)	7' (2.13m)
Outside Turning Radius	14'6" (4.42m)	14'6" (4.42m)
Wheelbase	6'3" (1.90m)	6'3" (1.90m)
Charger	25 amp, 48 VDC	25 amp, 48 VDC
Tire Size (33i & 40i)	9.5 x 16.5 LL	9.5 x 16.5 LL
Tire Size (33C & 40C)	10 x 16.5	10 x 16.5
Ground Clearance	7-1/2" (.19m)	7-1/2" (.19m)
Floor Loading	21psi	25psi
Terrainability Scale (33C & 40C)	7.0+	7.0+
Vehicle Weight	9,700 lbs.	13,000 lbs.

gvw may vary to meet country standards or for optional equipment

Optional Equipment:

- Operator Horn
- All motion Alarm
- Descent Alarm
- Travel Alarm
- Flashing Amber Light
- Spring Loaded 1/2 Gate
- 110VAC 5 amp inverter
- EE Rated Package
- Lifting Lugs
- Additional battery boxes (2) and wiring (batteries extra)
- High speed drive 4.0 mph (33 and 40 only)
- High flotation tires

Reach Diagram 33i & 33C



5-1-4 Warranty

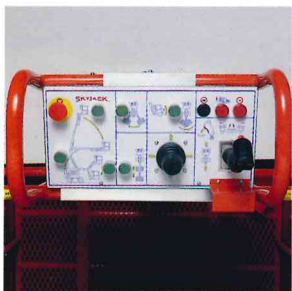
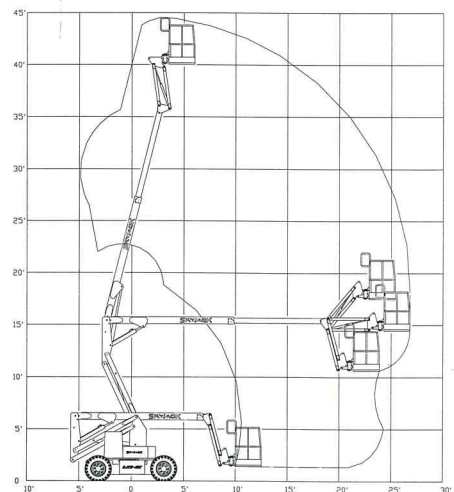
The Industry's Best!

Skyjack's **5-1-4 Warranty** demonstrates how proud and confident we are of our Engineering and Manufacturing quality. Our "**Commitment to Quality thru Total Customer Satisfaction**" is a working process in every machine we design and produce. Skyjack's **5-1-4 Warranty** covers all parts and labor on the entire machine for 1 full year from the in service date and 4 additional years on the entire structure.

We also allow up to 4 hours travel time because we realize that some warranty services must be performed in the field.

That is why we can make the statement **The Industry's Best!**

Reach Diagram 40i & 40C



User Friendly control console quick and easy to remove



Side covers swing open for easy access to componentry.



4 foot hydraulic jib